

- ★ IC Battery protection from overcharging and discharging.
- ★ High quality Li-ion Polymer battery with 1800mAH (7.4V).
- ★ 9 hours fully charged time with 200mA Charging current.
- ★ Suitable for LED lights and Lamps with separate driver, Driver output should match output voltage range 15-90Vdc current < 1500mA.
- ★ Plug and Play battery, compact module with screwless push connectors for easy installation.
- ★ Suitable for 110V Building site temporary lighting.
- ★ Emergency lighting time period of min 3 hours.
- ★ Input Voltage:110/230Vac 50/60 Hz.
- ★ Rated emergency wattage:3W.
- ★ 3 years Warranty for Circuit and 1 year warranty for Battery.



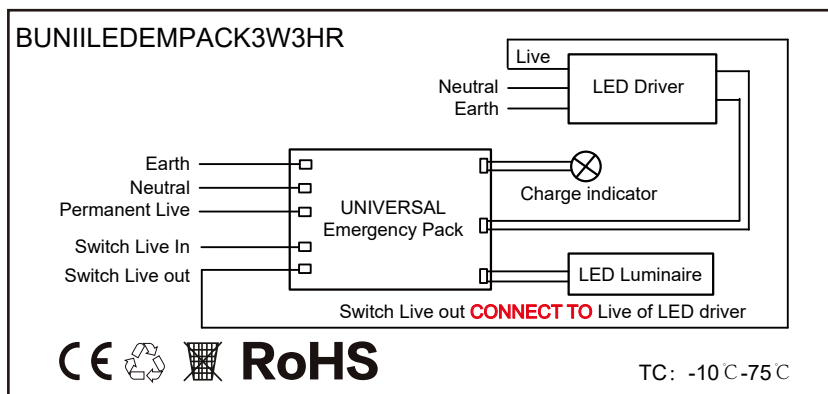
Specifications

Model	BUNIILEDMPACK3W3HR		Emergency Time Period
Item	UNIVERSAL LED Emergency Pack		3W 3 Hours
Technical Data	Input V.	110/230Vac 50/60HZ	
	Onput A.	1.5A MAX	
	Output V.	15-90VDC	

Driver Requirement

Driver Input Voltage	110-240V Vac separate driver.
Driver Output Voltage	15-90Vdc
Driver Output Current	<1500mA

Wiring

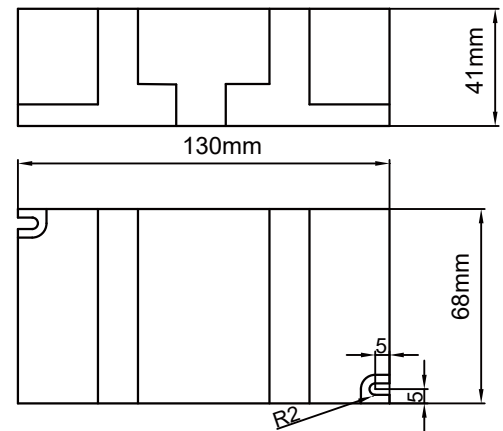


Conditions to Emergency Mode

Permanent Live is out of Electricity

230V mode: Input voltage is lower than 140V

110V mode: Input voltage is lower than 85V



LED Panels

LED DownLights

LED Ceiling Lights

LED Non-Corrosive Lights

LED lamps with Driver

110volt Building site Lighting

Complies with: EN61347-1, EN61347-2-7, EN61347-2-13, EN55015, EN61000-3-2, EN61547.

This document is not contractual and the equipment specification may be modified at any time without prior notice.

